

1

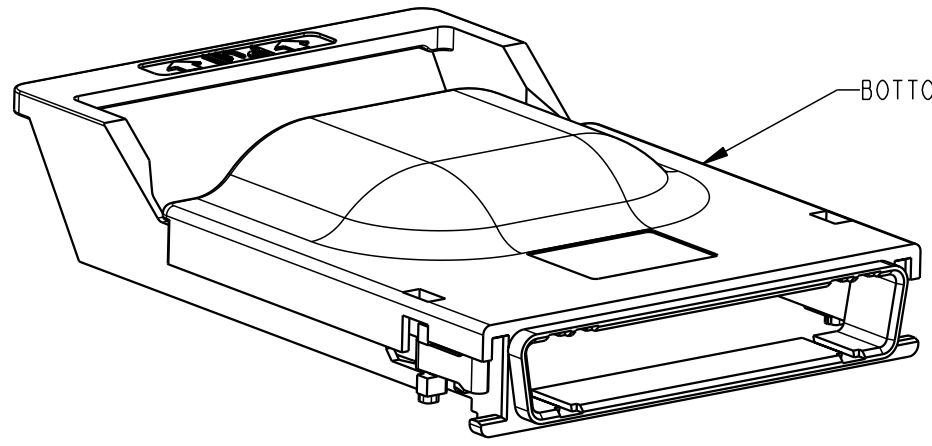
2

3

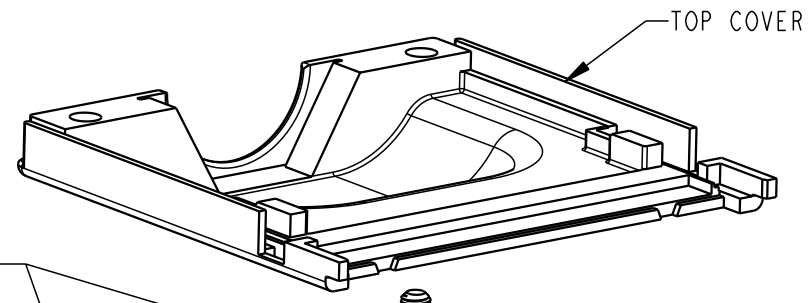
4

PRODUCT NUMBER  
58477-002

Tous droits strictement reserves. Reproduction ou communication a des tiers interdite sous quelque forme que ce soit sans autorisation écrite du propriétaire. Propriete de c FCI. Droits de reproduction FCI.

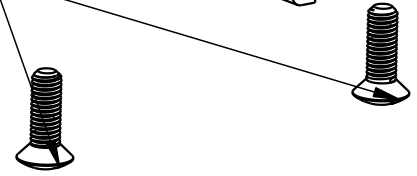


BOTTOM COVER ASSEMBLY



TOP COVER

M2.5 OVAL HEAD SCREWS



NOTES:

- MATERIAL:  
DIE CAST SHELL: ZINC WITH Ni PLATING OVER COPPER UNDERPLATING.  
PULL TAB: THERMOPLASTIC  
LATCH: STAINLESS STEEL  
SCREWS: STAINLESS STEEL (M2.5)
- USED WITH EYEMAX® PLUG 58443 (WITHOUT PCB), 58638 (WITH UNEQUALIZED PCB) OR 10026694 (WITH EQUALIZED PCB). COVER ASSEMBLY AND CONNECTOR CAN ALSO BE PURCHASED TOGETHER IN KIT 58442.

All rights strictly reserved. Reproduction or issue to third parties in any form whatever is not permitted without written authority from the proprietor. Property of FCI. Copyright FCI.

TOLERANCES UNLESS OTHERWISE SPECIFIED		rev	ecn no	dr	date
LINEAR	0.X ±.3	A	V03-0406	GIP	04/09/03
	0.XX ±.10	B	V04-0484	DAI	06/09/04
	0.XXX ±.050	-	-	-	-
ANGULAR	0° ±2°	-	-	-	-

<b>FCI</b>		www.fciconnect.com		surface 3.2 ASME Y14.5	tolerance ASME Y14.5	projection ASME Y14.5	MM
Dr	G.PETERS	04/09/03	Product family EyeMax (TM)		size	A4	Scale 1:1
Eng	G.PETERS	04/09/03	Spec ref		-	-	-
Chr	G.PETERS	04/09/03	Material	SEE NOTES	ECN	V04-0484	
Appr	D.BRANN	04/09/03	-		-		
title					58477		Rev. B
12X COVER ASSY KIT EYEMAX (TM)					CUSTOMER		sheet 1 of 1
catalog no					-		